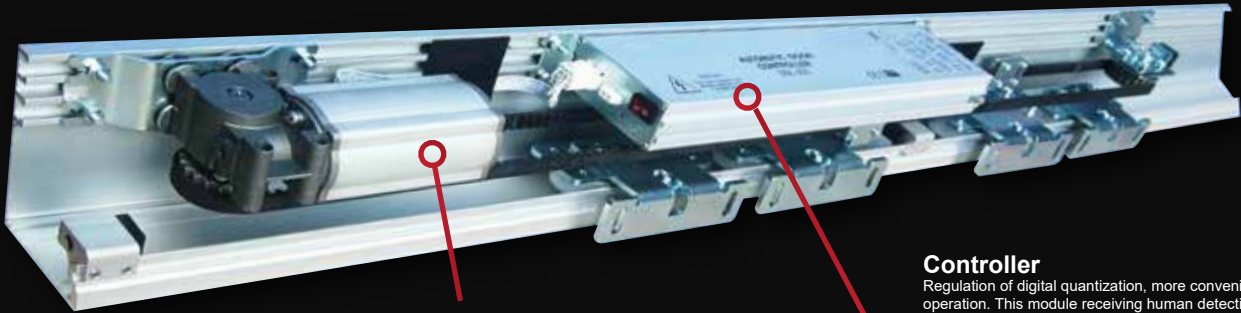


RG-AT750D

Sliding Door System



RANGER
AUTOMATION · REVOLUTION



Motor and transmission device

Made of high hardness aluminum, can simply cut off, all the opening width can be adjusted, install with the optimum size.

Controller

Regulation of digital quantization, more convenient operation. This module receiving human detection signal from the sensor, the drive motor, control the motion of the door.



Easy Maintenance



Automatically Lock



Emergency Stop



Door will automatically open when fire happens

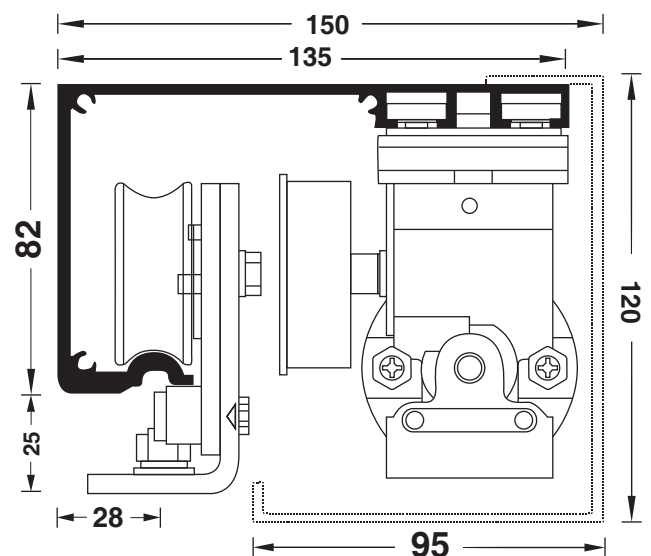
RG-AT750D utilize five functions conveniently : lock, keep open, one-way entrance, half-open and automatic operation.

The safety beam photocell will keep the door open to offer security for the passers-by. The door will open automatically when fire happens, it helps to win time for escape.

Technical Data

Unit Model	RG-AT750D
Door Configuration	Single Double
Door Leaf Weight	≤ 1 x 150kg ≤ 2 x 120kg
Length of Rail	4.2m
Clean Open Width	600~1800mm 1000~3000mm
Sliding Noise	≤ 55dB
Power Voltage	AC 220V ± 10%, 50 - 60Hz AC 110V ± 10%, 50 - 60Hz
Power Consumption	≤ 70w
Opening Speed	200~550mm/s(Adjustable)
Closing Speed	200~550mm/s(Adjustable)
Hold-Open Time	0~9s(Adjustable)
Closed Force	>30N
Manual Push	<40N
Environment Temperature	-20~+50°C

Dimension(mm)



c/w:

Motor Operator, Cover, In / Out Sensor & Glass Clamp