

MASTER20QR

 *Made in Italy*



230 V sliding gate operator with encoder and limit switch, complete with electronic control unit and built-in 433,92 MHz radio receiver. Maximum gate weight 2000 kg.

Features:

- commercial use
- for gates up to 2000 kg
- 230 V gate operators
- optical encoder technology for obstacle detection
- electronic brake
- irreversible gate operator
- lever manual release mechanism

Technical features

MASTER20QR

Power supply	230 V AC (50 - 60 Hz)
Motor power supply	230 V AC
Motor Absorption	3,4 A
Absorbed power	550 W
Speed maneuver	10,5 m/min
Duty cycle	40 %
Max. thrust	1890 N
Operating temperature	-20° C ÷ +55° C
Motor thermal protection	160° C
Degree of protection	IP 44
Max. gate leaf weight	2000 kg
Pinion module	Module 4

Pros:

- obstacle detection and crush prevention
- suitable for large sliding gates
- external emergency release available (optional, P/N 650ESE02)

Dimensions:



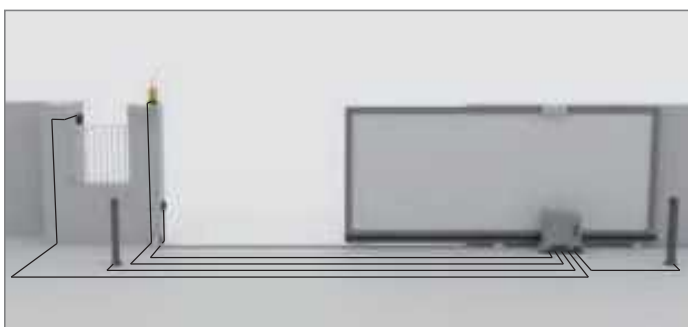
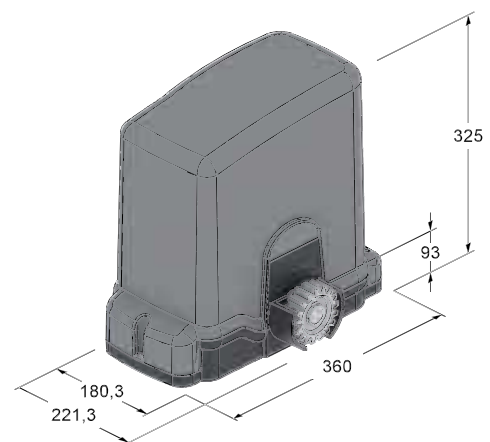
Protected control board:

The electronic control unit is well protected from the outside within its plastic shell



Practical:

The manual release is easy, intuitive and protected by a personal key.



The above represented installation does not include safety devices such as safety edges. Their addition depends upon the risk assessment made on any installation in accordance with EN 12445-12453 standards.