

G:B:D:



● PASS

GEARMOTORS
FOR SLIDING GATES





PASS

Irreversible
electromechanical
garmotors
for sliding gates

A complete range of 24 VDC, 230 VAC and 380VAC three phase gearmotor for gates of large size and weight (from 600 kg to 2,500 kg) suitable for heavy use, with or without control unit.

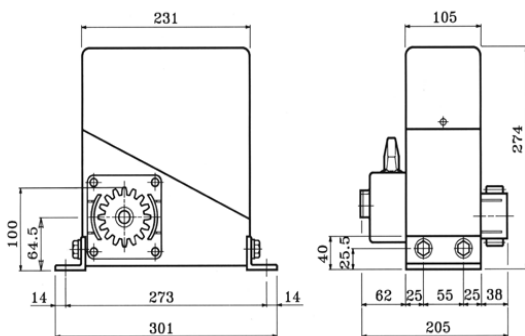
The versions with control unit incorporated (equipped with all the dedicated inputs for the safety devices) are fast and easy to install and allow regulating deceleration during opening and closing and the anti-crushing force and thresholds. It is hence easy to adapt the system to meet the

EN 12453 standards, 12453.

The reduction gear with heat-treated steel gears and the double-plate clutch are in oil bath making it silent and reliable over time.

The unlocking device for manual manoeuvres is easy to access and comes with a personalised key. The kit for automatic reversibility in the event of an emergency can be installed on these models (as required by the safety standards for area evacuation).

Technical data	PASS 800/24	PASS 600	PASS 800	PASS1200	PASS2500
use	heavy	heavy	heavy	heavy	heavy
frequency of use	90%	50%	60%	90%	70%
motor power supply	● 24 V dc	230 Vac - 50/60 Hz	230 Vac - 50/60 Hz	230 Vac - 50/60 Hz	● 380 Vac/three-phase
power absorbed	168W	260W	320W	700W	750W
degree of protection	IP55	IP55	IP55	IP55	IP55
speed	147 mm/s - Z = 16 M 4	147 mm/s - Z = 16 M 4	147 mm/s - Z = 16 M 4	147 mm/s - Z = 16 M 4	147 mm/s - Z = 16 M 4
maximum torque	12 Nm	12 Nm	14 Nm	50 Nm	90 Nm
torque regulation	mechanical/electronic	mechanical/electronic	mechanical/electronic	mechanical/electronic	mechanical
maximum wing lenght	4.0 m	5.0 m	5.0 m	10.0 m	10.0 m
maximum leaf weight	800 Kg	600 Kg	800 Kg	1,200 Kg	2,500 Kg
operating temperature	-20°C +60°C	-20°C +60°C	-20°C +60°C	-20°C +60°C	-20°C +60°C
thermal switch	140°C	140°C	140°C	140°C	140°C
type of oil	ATF Dextron III	ATF Dextron III	ATF Dextron III	ARNICA 68	ARNICA 68
operator weight	13 Kg	13 Kg	13 Kg	15 Kg	15 Kg

PASS 600/800/800-24**PASS 1200/2500**